

BLUE

LED Downlight

CE IP22 LED RoHS eco+

5 YEAR WARRANTY
85% SAVING

NIXON provides a five year manufacturer's guarantee on all Nixon branded products.



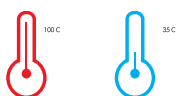
Specifications

Body	: Aluminium
Housing	: Aluminium
Diffuser	: Soft Diffuser (Frosted / Opal)
Weight	: 0,39 KG
Power Source	: 100-240 V AC / 50-60 Hz
System Power	: 14W
Luminous Flux	: 1200 lm
Protection Class	: IP22
CCT (Kelvin)	: 3000K - 4000K - 5000K

- Preferring complex products with confusing designs in house, residence and office lighting is both costly and time consuming for requiring changes in architectural features of the building or extra cost for electrical wiring. Today's construction technology together with rapidly rising block of buildings impose us to prefer packed designed, quickly applicable and long service life products.

Blue downlight delivers an ultra-slim and light weight design with a long lifespan thanks to its innovative technology to reduce the size of the converter. Blue is particularly designed by considering needs of construction companies which build collective housing and series of buildings with permanent plans. Its integrated structure is favourable for fast installation and wiring a ceiling with fewer cable. The aluminium cooling unit integrated with product body enables led module cool down efficiently within guarantee duration.

Heat Generation



HID/Sodium : 100 C
LED : 35 C

Light Source Life



HID/Sodium : 15.000 Hrs
LED : 50.000 Hrs

Mercury Safety



HID/Sodium : Contains
LED : -

Equal With



CFL : 2X18 W

Applications

Home, Residence, Office, Hospitality, Retail

Available Colors: White



Super Soft Diffuser



Built - in Driver

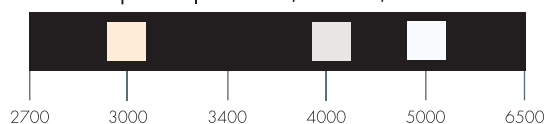


Aluminium Body & Heat Sink



- The diffuser made by pressing different PVC layers lets light distribute to atmosphere softly and it prevents eye from dazzling or blurring.
- Low power consumption while high light efficiency, power consumption just 20% as much as high pressure sodium lamp, mercury lamp at the same luminous condition, it saves energy more than 75% than that traditional light.
- Die casting aluminum housing, with anti-static and anti-corrosion coating.
- The frame made of high-density plastic eliminates traces of fading which appears in metal or aluminium coated products. The frame enables product to preserve its colour like its first day for many years.
- Beautiful appearance, several types of installation methods available.

Kelvin Options | 3000 K, 4000K, 5000 K



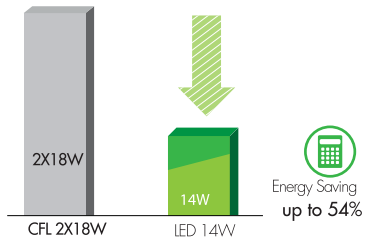
Glare-free, highly efficient light for workstations .

Nixon's Blue downlights meet the requirements specified in EN 12464 for lighting in offices and communication rooms.

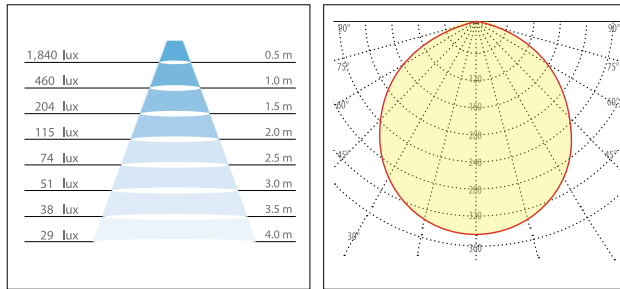


- Lightweight design
- Structure for easy installation
- Long life up to over 50,000 hours

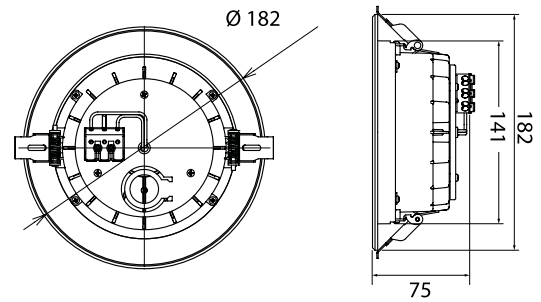
i Go to nixonled.com for IES specific data and technical drawings.



Light & Lumen Distribution Graphics



Dimensions & Drawings



Specifications & Product Series:



Power Consumption	14W
Input Voltage	220V AC (applied for 100-240V)
Frequency	50/60 Hz (applied for 47-63 Hz)
Ingress Protection	IP22
Power Factor	>0.95
Color Temperature(K)	Warm white:3000K; Pure white: 4000K - 5000K
Color Rendering Index (CRI)	Ra > 80
Light Efficacy	85 lm/W
Lifespan	up to 50000 Hours
Material	99 % Pure Aluminum Alloy
Dimensions	182 × 182 × 75 mm
Hole Diameter	Ø182 mm
Net Weight	0,39 kg

Order Information

Article no	System Power	Lumen
120DWN06	14W	1200